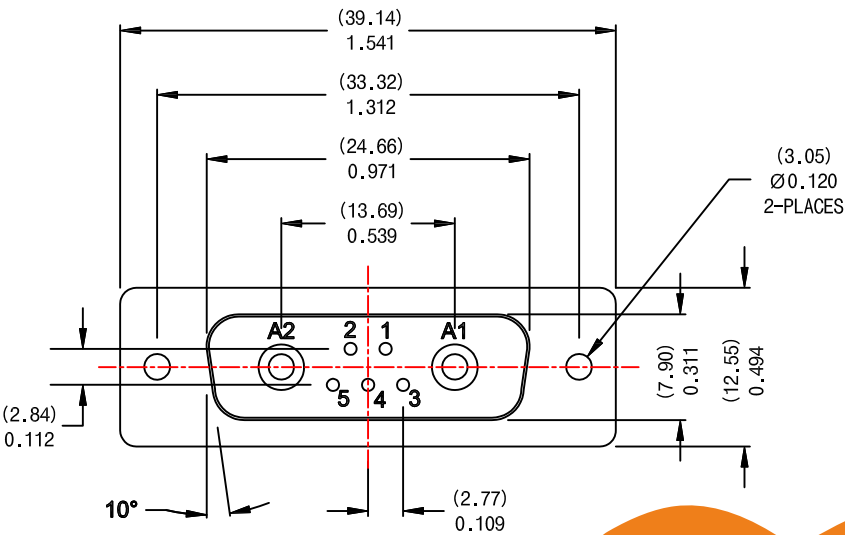
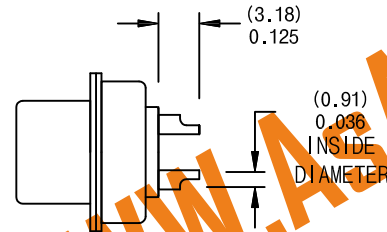


POWER D-SUB 7W2 SOLDER CUP-FEMALE

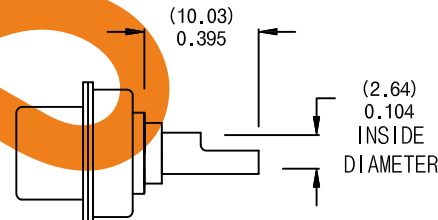
ROHS COMPLIANT



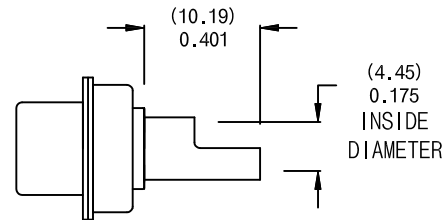
NOTE:
SIGNAL AND POWER CONTACTS
COME PRE-LOADED INTO INSULATORS



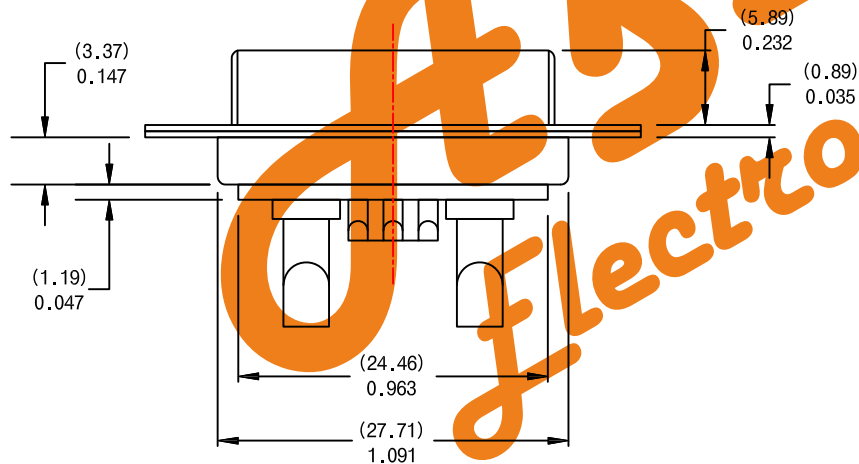
SIGNAL CONTACTS
ACCEPTS UP TO 20 AWG WIRE



20 AMP POWER CONTACTS
ACCEPTS UP TO 12 AWG WIRE



40 AMP POWER CONTACTS
ACCEPTS UP TO 8 AWG WIRE



SPECIFICATIONS:

ELECTRICAL:

INSULATOR RESISTANCE: 5,000 MegOHMS Min.
DIELECTRIC WITHSTANDING: 1,000 VAC r. m. s.
OPERATING TEMPERATURE: -55°C ~ +125°C
CONTACT RESISTANCE: 30 MILLIOHMS Max.
POWER PINS: SEE PART No. BELOW

MECHANICAL:

CONTACT INSERTION FORCE: 4.5kg Max
CONTACT SEPARATOR FORCE: 0.3kg Min
MATERIALS:
CONTACTS: BRASS
INSULATOR: PBT UL94V-0 RATED,
230°C PROCESS TEMP.

SHELL:

FINISH:

SHELL:

STEEL

NICKEL

Ordering Code:

PDB7W2 -F -G0 -B -20 -00
① ② ③ ④ ⑤ ⑥

① Series

② Contact Type:
M:Male F:Female

③ Contact NO. :
G0: Gold flash G1: 3u" Gold
G2: 5u" Gold G3: 10u" Gold
G4: 15u" Gold G5: 30u" Gold

④ Insulation Color Code:
B:Black L:Blue
W:White

⑤ Power AMP:
10 = 10AMPS; 20 = 20AMPS;
30 = 30AMPS; 40 = 40AMPS;

⑥ Series no

Unless Otherwise specified tolerance
X.±0.35
X.X:±0.25
X.XX:±0.20
X.XXX:±0.15

AsA Electronic WWW.AsA-Elec.com

AsA Electronic Co.

Tel : (+98) 21 66 73 56 82 Mob : (+98) 912 03 161 02

SCALE: 1:1 UNIT:
IN (mm)

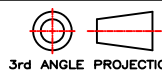
DRAWN: junfon H

CHECKED: YANG

TITLE:
POWER D-SUB 7W2 SOLDER CUP-FEMALE

12/5/3

DATE



DRAWING NO: PDB7W2-FXXXXX00

PRODUCT NO: PDB7W2-FXXXXX00